

Airpura

AIR PURIFIERS

C600

Airborne Chemicals

Technical Specifications

Odor, airborne chemical control

26 lbs activated carbon
13" x 13" x 7.5"

Carbon bed

3" deep x 570 sq" surface

Air Flow 560 cfm

More cfm than any other portable unit available

Pre-filter

570 sq in x 1in

Post particle filter

306 sq in

Size

23" x 15"

Weight

49lbs total

Voltage Options

115 or 220 volts

Watts

120 on high
40 on low

Sound Level

28.1 db on low (at 6 feet)
62.3 db on high (560 cfm)
(Room level 25.1 db)

ETL Certified

Conforms to
CSA C22.2 no 113
ANSI / UL 507

Your **Airpura** Dealer

Filtration System

Cleanable pre-filter

Vacuum through grill and change every 12 months

26 lb Carbon filter

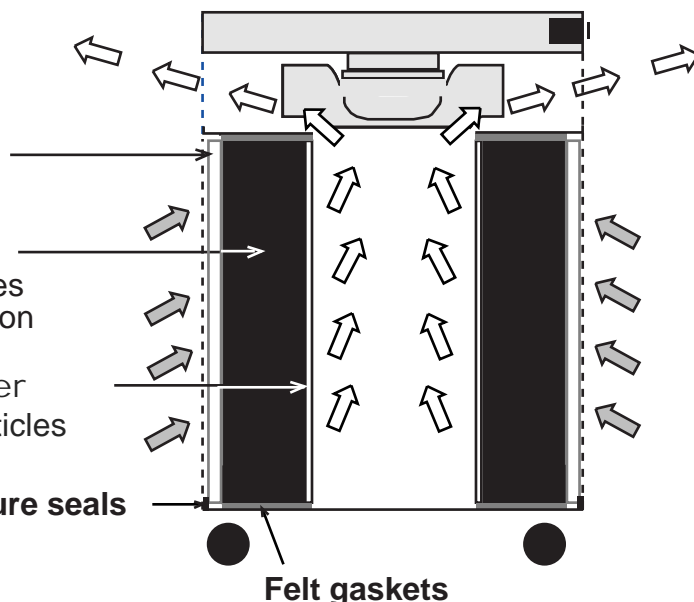
3" deep carbon bed ensures effective chemical adsorption

HEPA-Barrier post filter

Traps carbon dust and particles

Pressure seals

Felt gaskets



Unique Features

- **All metal housing** ensures no plastic vapors are emitted.
- **Motor out of the air flow.** Most air purifiers blow the clean air over the motor and pick up impurities.
- **Electrical parts in a sealed chamber** out of the airflow. Increases safety and prevents off-gassing.
- **Pressure sealed filter chamber** prevents leakage of polluted air around filters.
- **Felt gaskets seal the filter chamber.** Maximize filtration with no rubber off-gassing found with other filters.
- **Clean modern appearance** fits in any decor.
- **Low noise level** (at 6 feet) 28.1db on low 62.3db on high (560 cfm)

Specially designed for airborne chemicals

Dwell time

For best results the correct dwell time of the pollutants over the carbon bed is vital. The 560 CFM impeller/motor combined with the variable speed control and unimpeded airflow of the Airpura 600 series allows you to set the airflow precisely and achieve the results you need.

Expertise you can call on

Airpura air quality experts can offer you a solution to most airborne chemical problems. Contact your Airpura dealer or call us directly to discuss your needs.

Safe effective air filtration for your better health

Airpura

AIR PURIFIERS

C600

Airborne Chemicals

Technical Specifications

Odor, airborne chemical control

26 lbs activated carbon
13" x 13" x 7.5"

Carbon bed

3" deep x 570 sq" surface

Air Flow 560 cfm

More cfm than any other portable unit available

Pre-filter

570 sq in x 1in

Post particle filter

306 sq in

Size

23" x 15"

Weight

49lbs total

Voltage Options

115 or 220 volts

Watts

120 on high
40 on low

Sound Level

28.1 db on low (at 6 feet)
62.3 db on high (560 cfm)
(Room level 25.1 db)

ETL Certified

Conforms to
CSA C22.2 no 113
ANSI / UL 507

Your **Airpura** Dealer

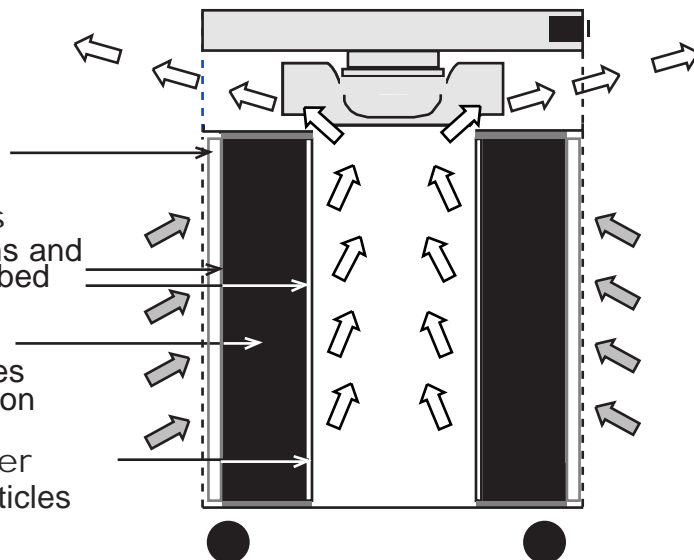
Filtration System

Cleanable pre-filter
Vacuum through grill and change every 12 months

2 MicroSupress filters
Suppress bacteria, antigens and pathogens around carbon bed

26 lb Carbon filter
3" deep carbon bed ensures effective chemical adsorption

HEPA-Barrier post filter
Traps carbon dust and particles



Unique Features

- **All metal housing** ensures no plastic vapors are emitted.
- **Motor out of the air flow.** Most air purifiers blow the clean air over the motor and pick up impurities.
- **Electrical parts in a sealed chamber** out of the airflow. Increases safety and prevents off-gassing.
- **Pressure sealed filter chamber** prevents leakage of polluted air around filters.
- **Felt gaskets seal the filter chamber.** Maximize filtration with no rubber off-gassing found with other filters.
- **Clean modern appearance** fits in any decor.
- **Low noise level** (at 6 feet) 28.1db on low 62.3db on high (560 cfm)

Specially designed for airborne chemicals

Dwell time

For best results the correct dwell time of the pollutants over the carbon bed is vital. The 560 CFM impeller/motor combined with the variable speed control and unimpeded airflow of the Airpura 600 series allows you to set the airflow precisely and achieve the results you need.

Expertise you can call on

Airpura air quality experts can offer you a solution to most airborne chemical problems. Contact your Airpura dealer or call us directly to discuss your needs.

Safe effective air filtration for your better health